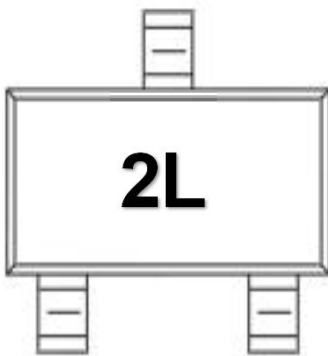




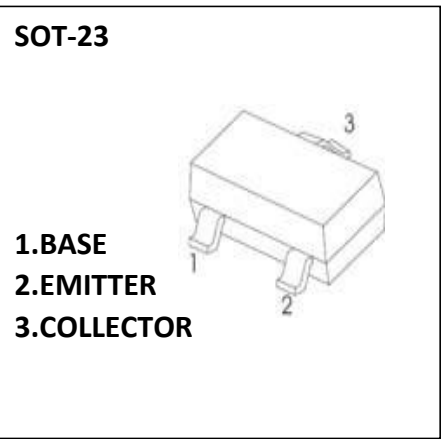
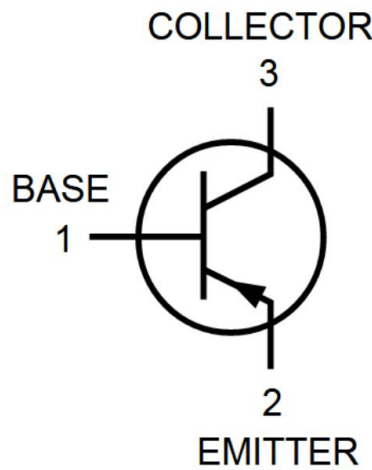
SHENZHEN MENGKE ELECTRONICS TECHNOLOGY CO.,LTD  
**SOT-23 Plastic-Encapsulate Transistors**

**MMBT5401 TRANSISTOR (PNP)**

**MARKING:**



**Equivalent Circuit:**



**FEATURES:**

- ※ Complimentary to MMBT5551
- ※ Collector Current:  $I_c=0.6A$
- ※ Ideal for Medium Power Amplification and Switching

**MAXIMUM RATINGS (Ta=25°C unless otherwise noted)**

Parameter	Symbol	Value	Unit
Collector-Base Voltage	VCBO	-160	V
Collector-Emitter Voltage	VCEO	-150	V
Emitter-Base Voltage	VEBO	-5	V
Collector Current	IC	-600	mA
Collector Power Dissipation	PC	300	mW
Thermal Resistance From Junction To Ambient	RθJA	416	°C/W
Junction Temperature	Tj	150	°C
Storage Temperature	Tstg	-55~+150	°C



## SHENZHEN MENGKE ELECTRONICS TECHNOLOGY CO.,LTD

### ELECTRICAL CHARACTERISTICS (Ta=25°C unless otherwise specified)

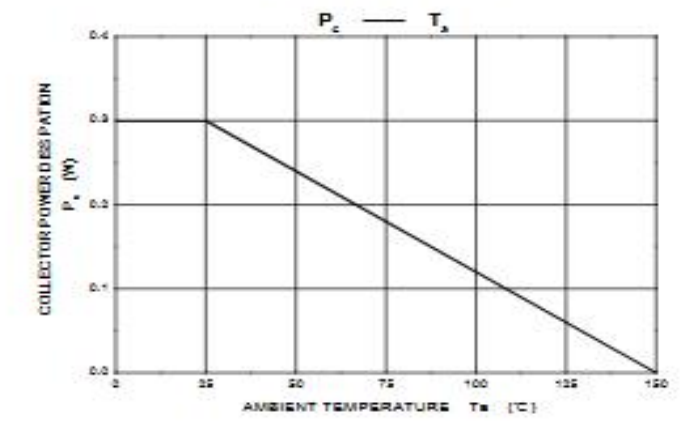
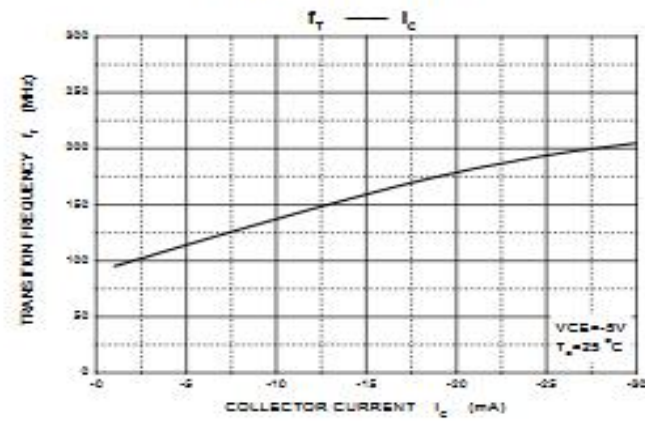
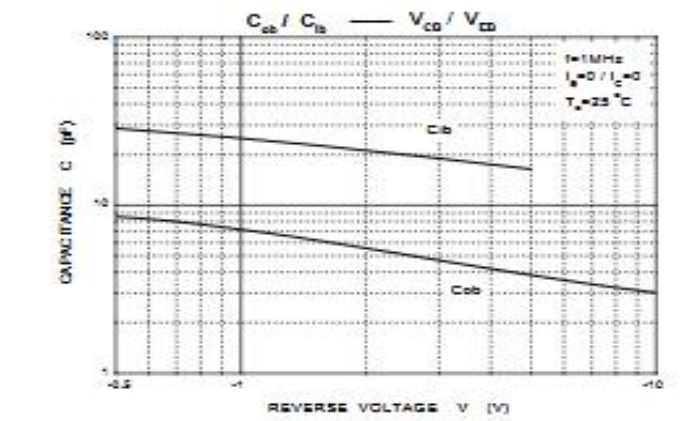
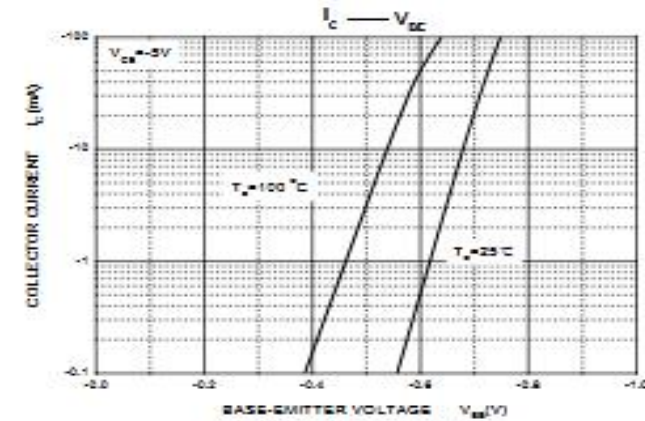
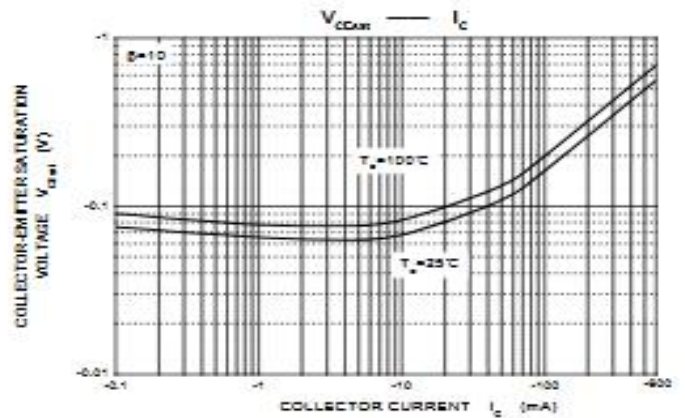
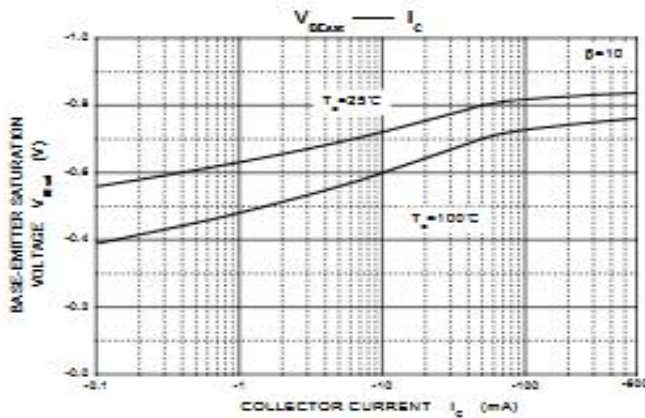
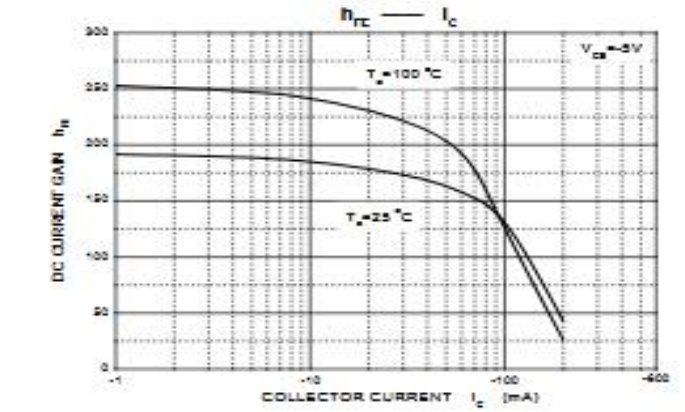
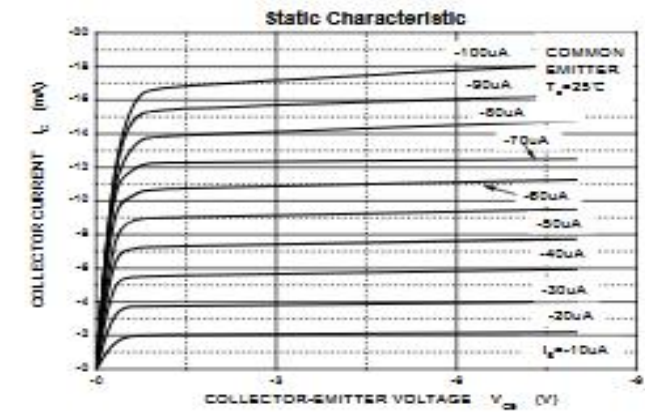
Parameter	Symbol	Test Condition	Min	Typ	Max	Unit
Collector-base breakdown voltage	V(BR)CBO	IC= -100μA, IE=0	-160			V
Collector-emitter breakdown voltage	V(BR)CEO	IC= -1mA, IB=0	-150			V
Emitter-base breakdown voltage	V(BR)EBO	IE= -10μA, IC=0	-5			V
Collector cut-off current	ICBO	VCB= -120 V , IE=0			-0.1	μA
Emitter cut-off current	IEBO	VEB= -4V , IC=0			-0.1	μA
DC current gain	hFE	VCE=-5V, IC= -1mA	80			
	hFE	VCE=-5V, IC= -10mA	100		300	
	hFE	VCE=-5V, IC= -50mA	50			
Collector-emitter saturation voltage	VCE(sat)	IC= -50 mA, IB= -5mA			-0.5	V
		IC= -10 mA, IB= -1mA			-0.2	
Base-emitter saturation voltage	VBE(sat)	IC= -50 mA, IB= -5mA			-1.	V
		IC= -10 mA, IB= -1mA			-1	
Transition frequency	fT	VCE=6V, IC= 20mA f=30MHz	100			MHz

### CLASSIFICATION OF hFE

<b>Rank</b>	<b>L</b>	<b>H</b>
<b>Range</b>	<b>100-200</b>	<b>200-300</b>
<b>MARKING</b>	<b>2L</b>	

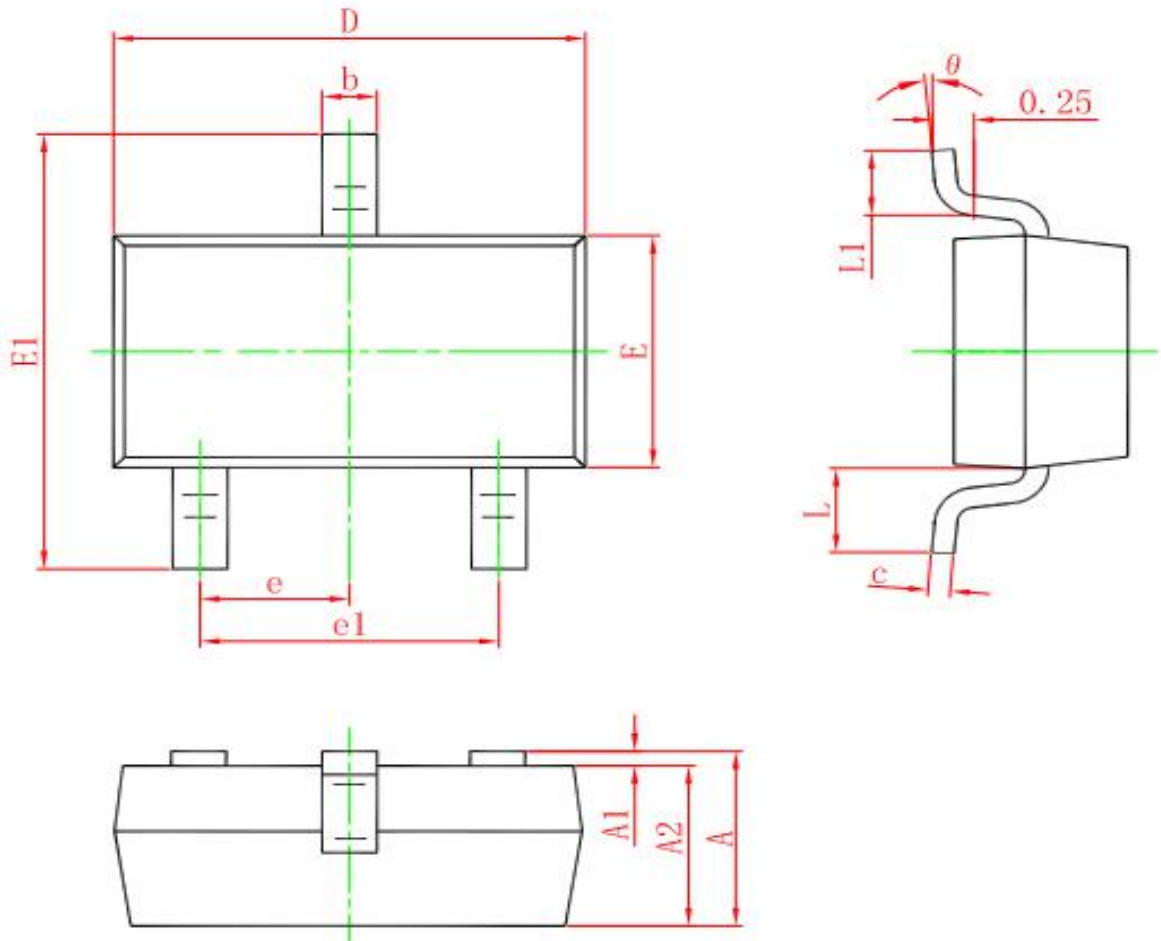


TYPICAL ELECTRICAL AND THERMAL CHARACTERISTICS





SOT-23 PACKAGE OUTLINE DIMENSIONS



Symbol	Dimensions In Millimeters		Dimensions In Inches	
	Min.	Max.	Min.	Max.
A	0.900	1.150	0.035	0.045
A1	0.000	0.100	0.000	0.004
A2	0.900	1.050	0.035	0.041
b	0.300	0.500	0.012	0.020
c	0.080	0.150	0.003	0.006
D	2.800	3.000	0.110	0.118
E	1.200	1.400	0.047	0.055
E1	2.250	2.550	0.089	0.100
e	0.950 TYP.		0.037 TYP.	
e1	1.800	2.000	0.071	0.079
L	0.550 REF.		0.022 REF.	
L1	0.300	0.500	0.012	0.020
theta	0°	8°	0°	8°