



SHENZHEN MENGKE ELECTRONICS TECHNOLOGY CO.,LTD
TO-252/TO-251 Plastic-Encapsulate Voltage Regulators

MK79M05 Three-terminal negative voltage regulator

FEATURES:

※ Maximum output current

IOM: 0.5A

※ Output voltage

VO: -5V

※ Continuous total dissipation

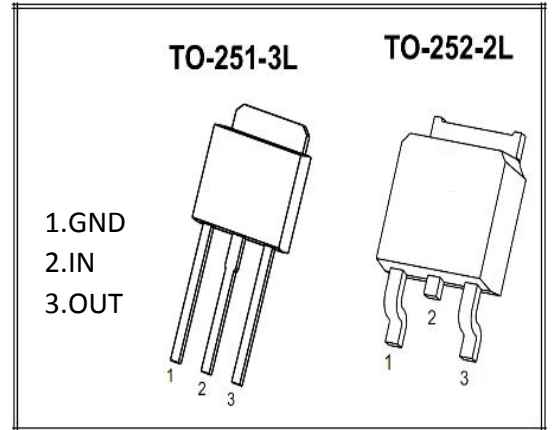
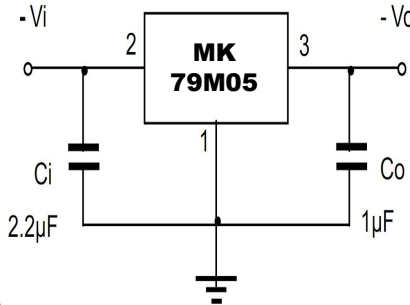
PD: 1.25W

MARKING:

MK 79M05 MKD / U ****

MK→logo (D→252) / (U→251) ****→Date

TYPICAL APPLICATION:



Absolute Maximum ratings (Operating temperature range applies unless otherwise specified)

Parameter	Symbol	Value	Unit
Input Voltage	Vi	-35	V
Thermal Resistance From Junction to air	RθJA	80	°C/W
Operating Junction Temperature Range	TOPR	-25~+125	°C
Storage Temperature Range	TSTG	-55~+150	°C

Electrical Characteristics At Specified Virtual Junction Temperature

(Vi=-10V, Io=350mA, Ci=0.33µF, Co=0.1µF. Unless Otherwise Specified)

Parameter	Symbol	Test Condition	Min	Typ	Max	Unit
Output voltage	VO	25°C	-4.8	-5	-5.2	V
		-7V≤Vi≤-20V, Io=5mA-350mA, -25~+125	-4.75	-5	-5.25	V
Load Regulation	ΔVO	Io=5mA-0.5A, Vi=-10V, 25°C		15	100	mV
		Io=5mA-200mA, Vi=-10V, 25°C		5	50	mV
Line Regulation	ΔVO	-10.5V≤Vi≤-25V, Io=200mA, 25°C		3	100	mV
		-11V≤Vi≤-25V, Io=200mA, 25°C		1	50	mV
Quiescent Current	Iq	25°C		4.2	6	mA
Quiescent Current Change	ΔIq	-10.5V≤Vi≤-25V, Io=200mA, -25~+125			0.8	mA
		5mA≤Io≤350mA, -25~+125			0.5	mA
Output Noise Voltage	VN	10Hz≤f≤100KHz, 25°C		40	200	µV/Vo
Ripple Rejection	Rr	-11.5V≤Vi≤-21.5V, f=120Hz, Io=300mA, -25~+125	62	80		dB
Dropout Voltage	Vd	Io=350mA, 25°C		2	2.5	V
Short Circuit Current	Isc	Vi=-10V, 25°C		150		mA
Peak Current	IPK	25°C		0.5		A
Output Voltage Drift	ΔVO/ΔT	Io=5mA, 25°C		-0.2		mV/°C

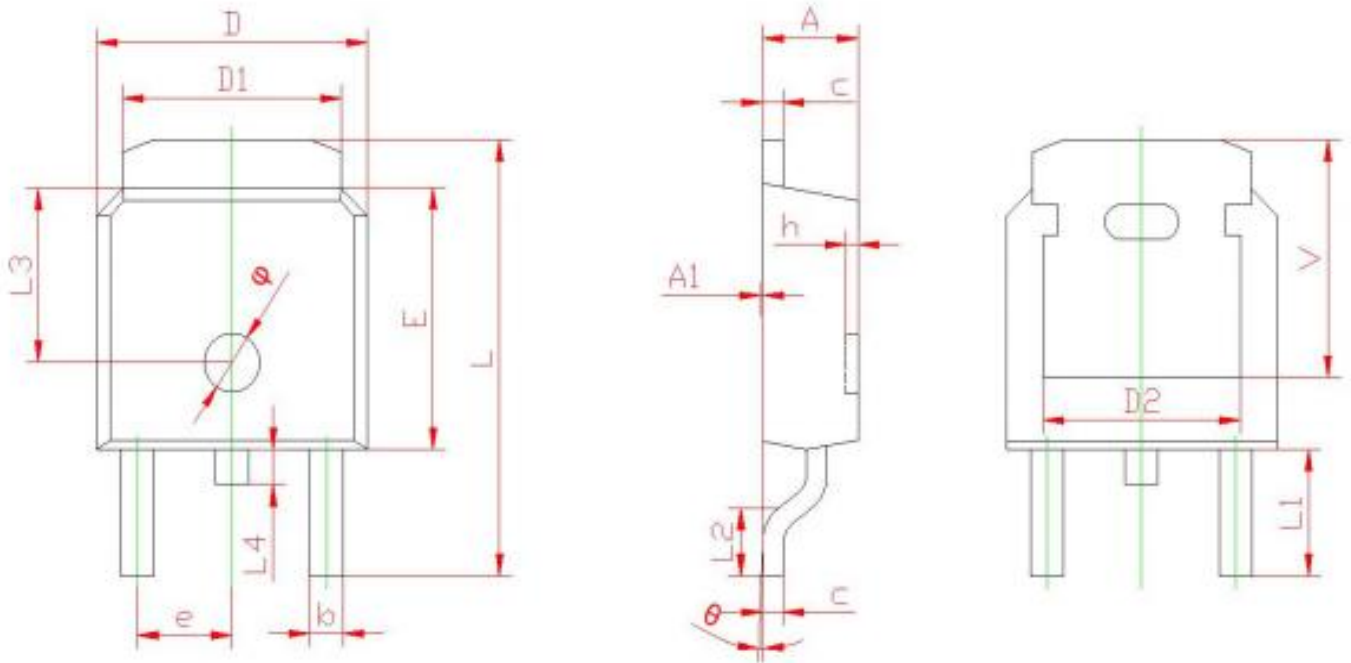
Note :

Bypass Capacitors are Recommended For Optimum Stability and Transient Response and Should be located as Close as Possible to the Regulators



Package Dimensions:

TO-252 PACKAGE OUTLINE DIMENSIONS

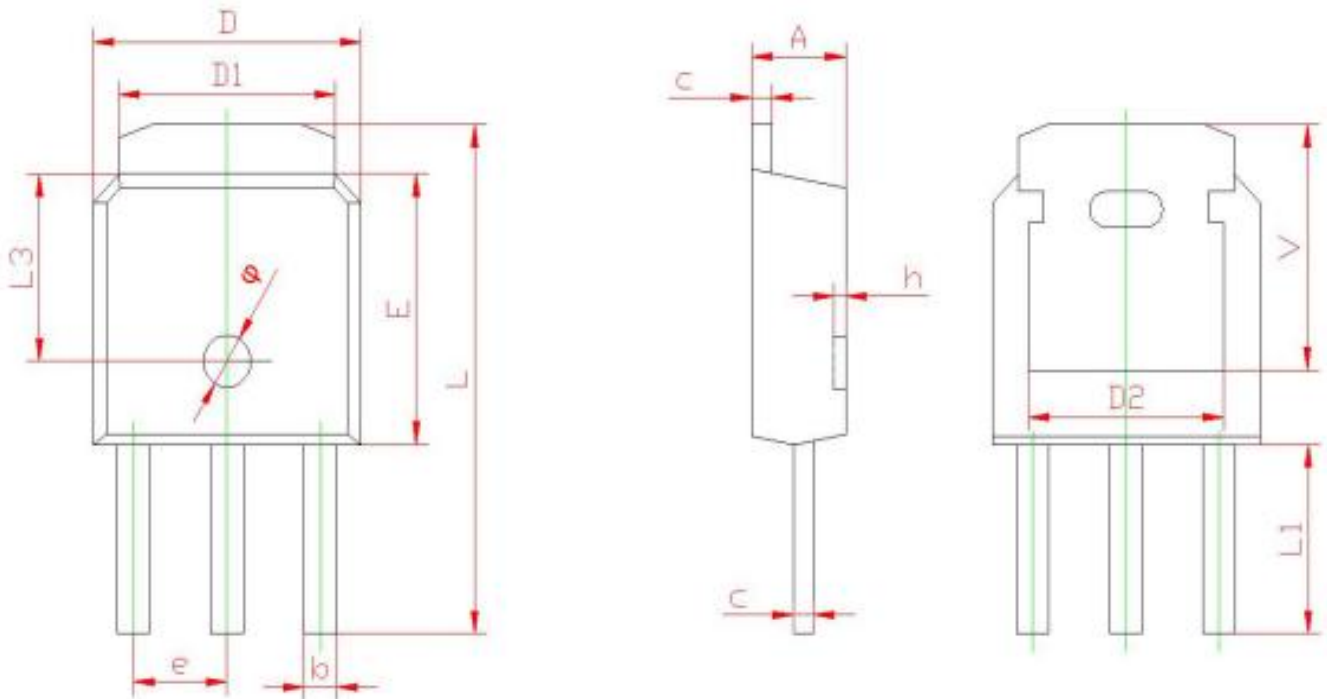


Symbol	Dimensions In Millimeters		Dimensions In Inches	
	Min.	Max.	Min.	Max.
A	2.200	2.400	0.087	0.094
A1	0.000	0.127	0.000	0.005
b	0.660	0.860	0.026	0.034
c	0.460	0.580	0.018	0.023
D	6.500	6.700	0.256	0.264
D1	5.100	5.460	0.201	0.215
D2	4.800 REF		0.189 REF	
E	6.000	6.200	0.236	0.244
e	2.186	2.386	0.086	0.094
L	9.800	10.400	0.386	0.409
L1	2.900 REF		0.114 REF	
L2	1.400	1.700	0.055	0.067
L3	4.00 REF		0.157 REF	
L4	0.600	1.000	0.024	0.039
φ	1.200	1.400	0.043	0.051
θ	0°	8°	0°	8°
h	0.000	0.300	0.000	0.012
V	5.500 REF		0.217 REF	



Package Dimensions:

TO-251 PACKAGE OUTLINE DIMENSIONS



Symbol	Dimensions In Millimeters		Dimensions In Inches	
	Min.	Max.	Min.	Max.
A	2.200	2.400	0.087	0.094
A1	0.000	0.127	0.000	0.005
b	0.660	0.860	0.026	0.034
c	0.460	0.580	0.018	0.023
D	6.500	6.700	0.256	0.264
D1	5.100	5.460	0.201	0.215
D2	4.800 REF		0.189 REF	
E	6.000	6.200	0.236	0.244
e	2.186	2.386	0.086	0.094
L	9.800	10.400	0.386	0.409
L1	4.300 REF		0.170 REF	
L3	4.00 REF		0.16 REF	
L4	0.600	1.000	0.024	0.039
h	0.000	0.300	0.000	0.012
V	5.500 REF		0.217 REF	